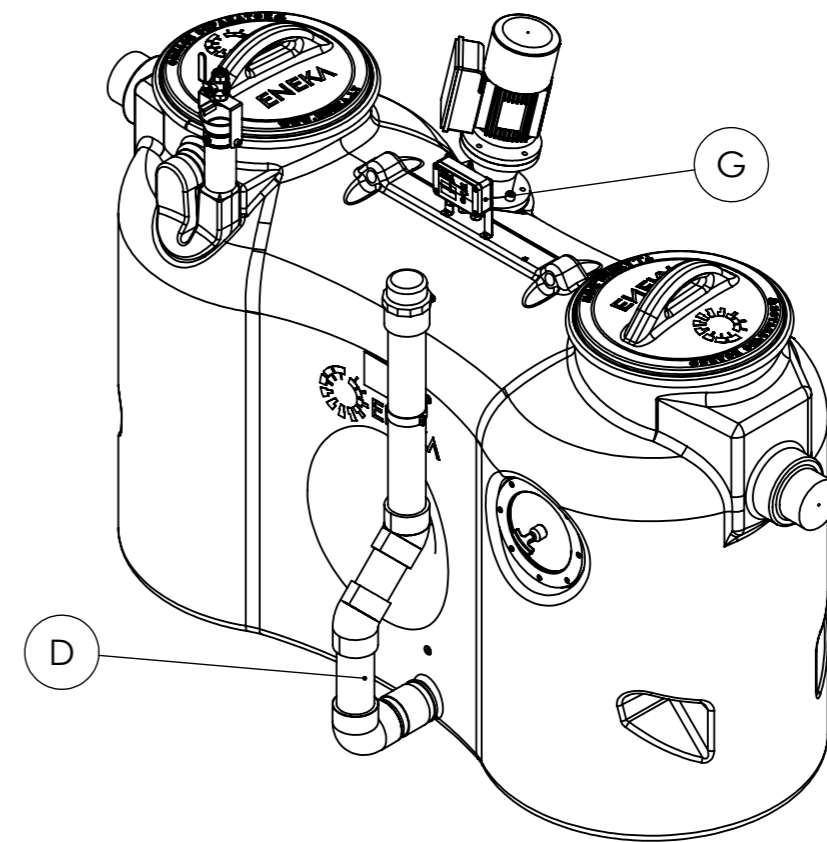


Position	Name	Quantity
A	Greasly 2A body	1
B	Lid with locking ring and gasket	2
C	Inspection window	1
D	Extraction pipe	1
E	Manual water filling unit	1
F	Mixer	1
G	Alarm	1
Greasly 2A Mix-M technical characteristics		
	Flow rate	2 l/s
	Total volume	650 L
	Grease volume	80 L
	Separator volume	250 L
	Sludge trap volume	200 L
	Weight	119 kg



Product Greasly	Name Greasly 2A Mix-M	Scale 1:15
Design by V.Laucius	Checked by E.Mozuraitis	Approved by E.Kuodis
UAB ENEKA Vandziogalos g. 94 LT-47467 Kaunas, Lithuania tel. +37037377441, faks. +37037377907 www.eneka.lt, info@eneka.lt		Construction site - Drawing no. - Date 4/10/2019
		Lang. en Sheet 1